

## Legend

1. Rain guard
- 1.1 Rain guard intake
- 1.2 Rain guard air outlet
2. Sealing collar
- 2.1 Sealing collar intake
- 2.2 Sealing collar air outlet
3. Air duct straight
- 3.1 Air duct straight intake
- 3.2 Air duct straight air outlet
- 3.12 Air duct straight intake optional
- 3.22 Air duct straight air outlet optional
4. Air duct bend
- 4.1 Air duct bend intake
- 4.2 Air duct bend air outlet

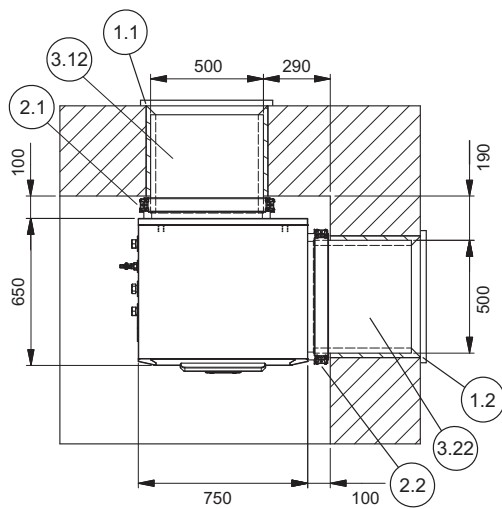
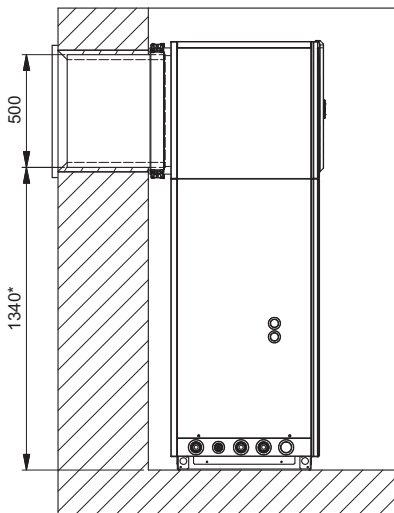
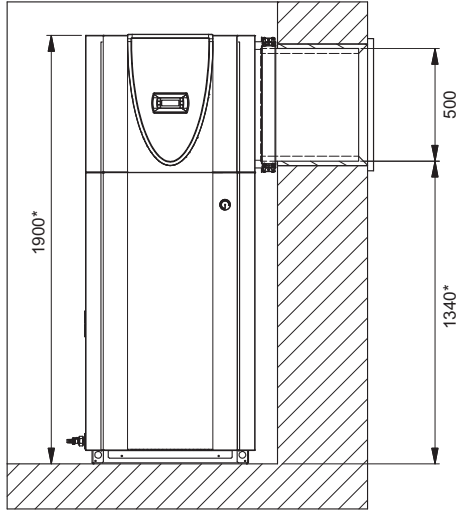
## Notes

\* The dimensions must be correspondingly increased when an insulating strip or supporting feet are placed under the heat pump.

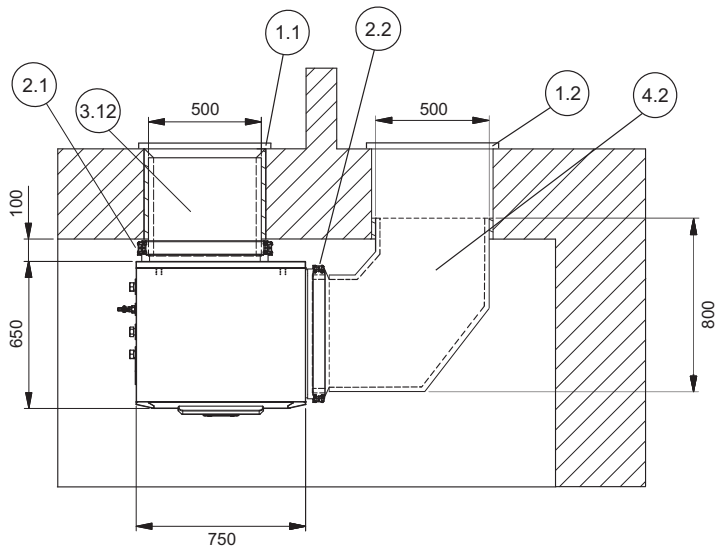
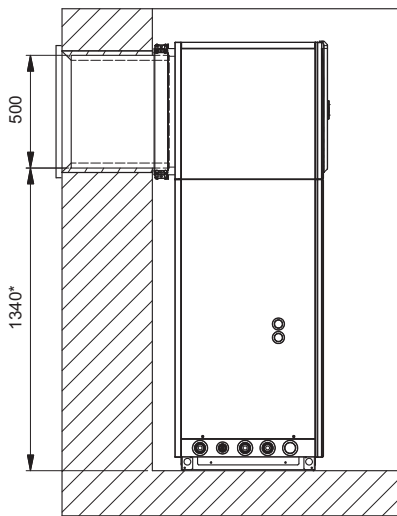
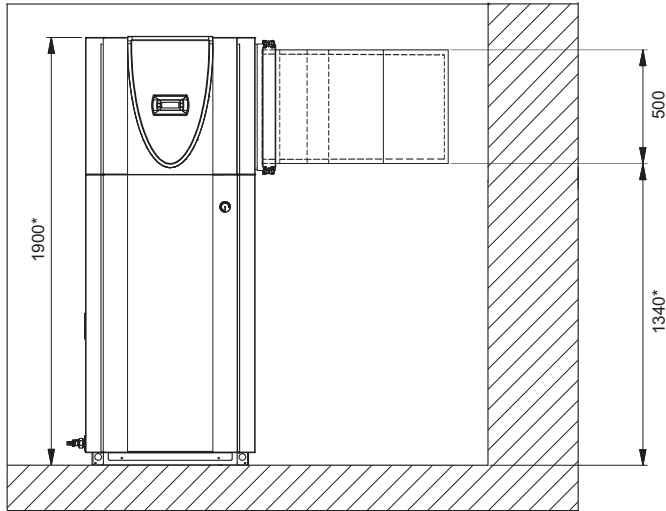
\*\* When installing air-to-water heat pumps for indoor installation, it is advisable to use a sealing collar in combination with an air duct!

## Table of Contents

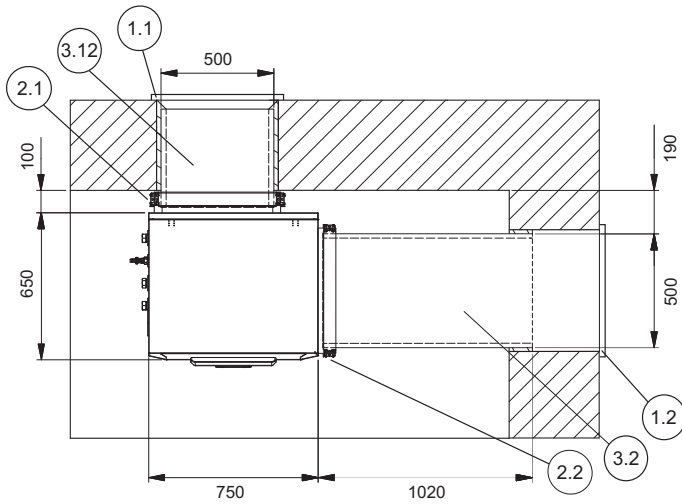
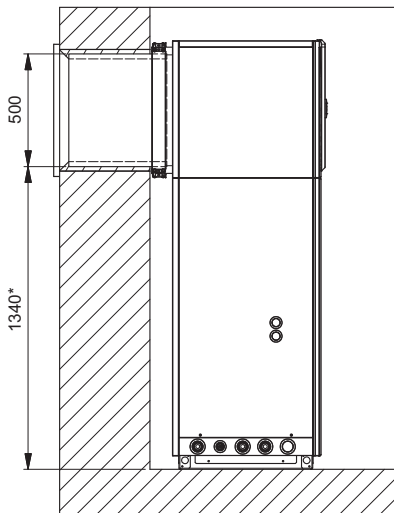
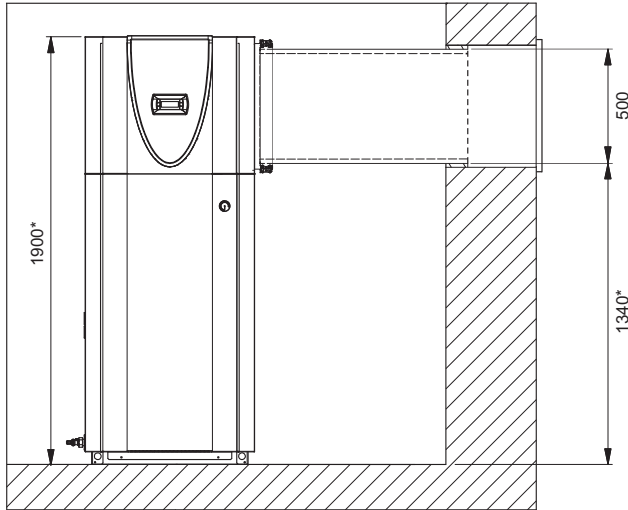
Close to wall .....	2
Curved duct .....	3
Straight duct .....	4
Straight duct in the intake .....	5
Straight duct and curved duct .....	6



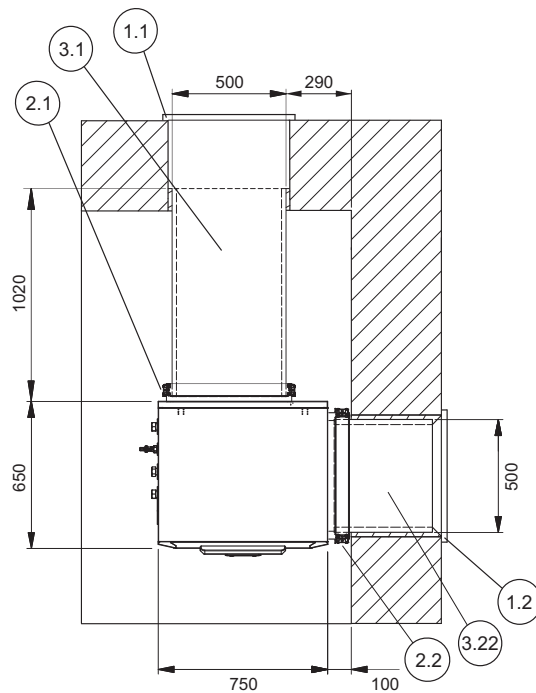
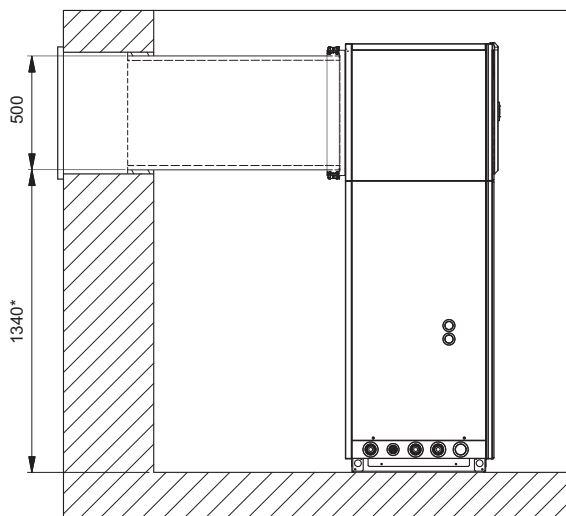
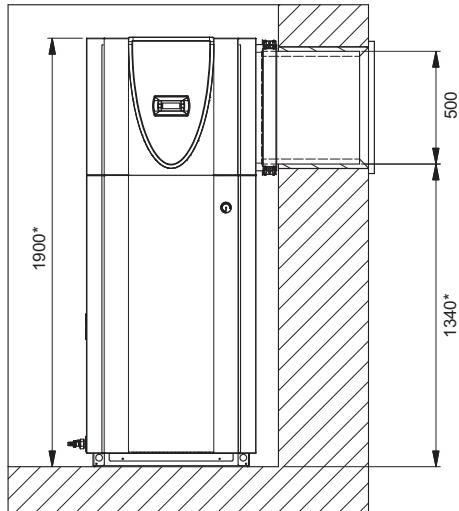
1.1	RSG 500
1.2	RSG 500
2.1	DMK 500
2.2	DMK 500
3.12	LKL 500A
3.22	LKL 500A



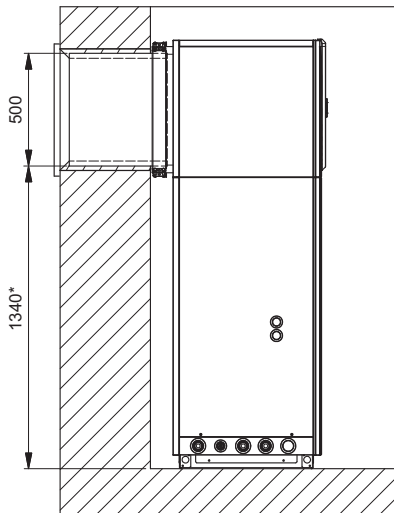
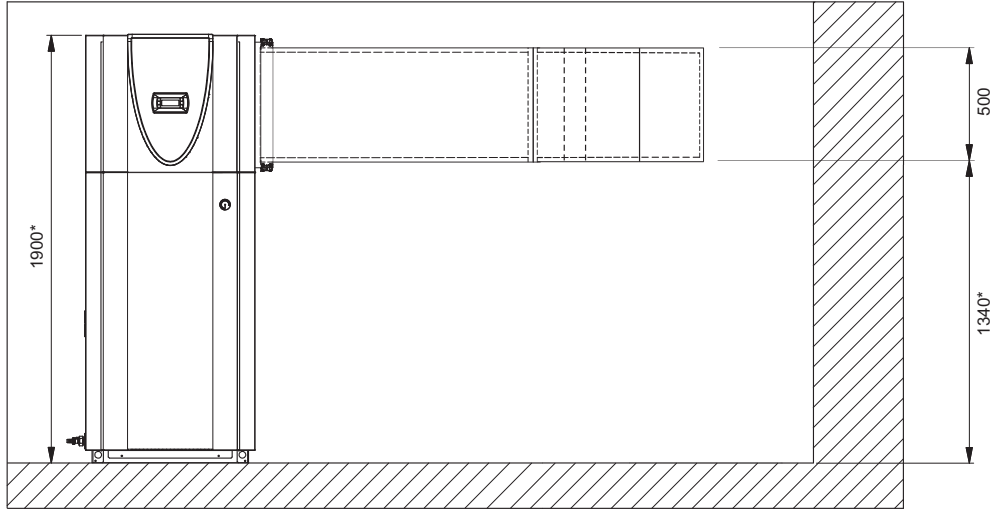
- 1.1 RSG 500
- 1.2 RSG 500
- 2.1 DMK 500
- 2.2 DMK 500
- 3.12 LKL 500A
- 4.2 LKB 500



- |               |
|---------------|
| 1.1 RSG 500   |
| 1.2 RSG 500   |
| 2.1 DMK 500   |
| 2.2 DMK 500   |
| 3.12 LKL 500A |
| 3.2 LKL 500A  |



- 1.1 RSG 500
- 1.2 RSG 500
- 2.1 DMK 500
- 2.2 DMK 500
- 3.1 LKL 500A
- 3.2 LKL 500A



- 1.1 RSG 500
- 1.2 RSG 500
- 2.1 DMK 500
- 2.2 DMK 500
- 3.12 LKL 500A
- 3.2 LKL 500A
- 4.2 LKB 500

